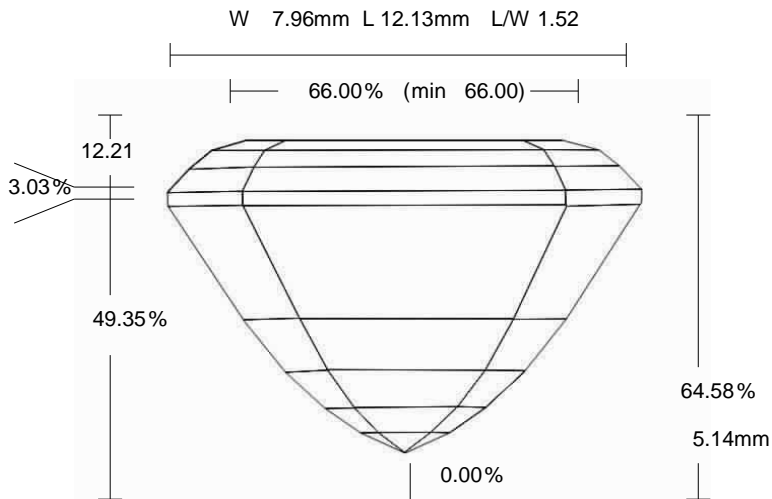


-

**Stone No** 872822  
**Shape** EMERALD  
**Real Weight** 5.02 ( Ct )  
**Width** 7.96 ( mm )  
**Length** 12.13 ( mm )  
**Total Height** 64.58 (%) 5.140(mm)  
**Table** 66.00 (%) 5.260(mm)  
**L/W Ratio** 1.52



Parameter		Avg	Min	Max	Dev
Crown Angle 1	%	17.47	16.63	17.90	1.27
Crown Height	%	12.21	11.97	12.51	0.54
Girdle Thickness	%	3.03	2.77	3.33	0.56
Pavilion Angle 1 (Main)	%	60.68	60.42	61.00	0.58
Pavilion Height	%	49.35	49.28	49.41	0.13